

Organised By:



# METALTECH<sup>®</sup>

Co-locating:

## autoMEX

**26<sup>TH</sup> INTERNATIONAL MACHINE TOOLS,  
METALWORKING & AUTOMATION  
TECHNOLOGY EXHIBITION**

**10-13 NOV 2020 | MITEC**  
KUALA LUMPUR, MALAYSIA

**SHOW  
UPDATE**

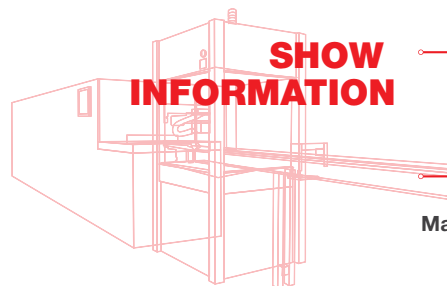


[www.metaltech.com.my](http://www.metaltech.com.my) | [www.automex.com.my](http://www.automex.com.my)

 [metaltechmy](https://www.facebook.com/metaltechmy)

**METALTECH**, the leading exhibition for the Metalworking, Machine Tools and Manufacturing Industries, along with **AUTOMEX**, the International Automation and Technology Exhibition, will once again return to **Malaysia International Trade & Exhibition Centre (MITEC) Kuala Lumpur, Malaysia** from **10-13 November 2020**.

Get ready for our biggest show yet as we once again provide the ultimate platform that showcases the latest and greatest products, innovations and services within the metalworking, manufacturing and automation sectors. It's time to have your eyes opened to the extraordinary future of intelligent manufacturing, only at the glorious **26th Edition of International Machine Tools, Metalworking and Automation Technology Exhibition**.



## SHOW INFORMATION

### Opening Hours

10-12 Nov 2020 (Tue - Thur)	10:00am to 6:00pm
13 Nov 2020 (Fri)	10:00am to 5:00pm

### Venue

Malaysia International Trade & Exhibition Centre (MITEC) Kuala Lumpur, Malaysia

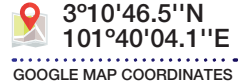
## JOIN OUR EXCLUSIVE MITEC TOUR FOR ALL EXHIBITORS

We are extremely pleased at the responses we received with our move to MITEC, especially the pre-event tour which was very well received by the exhibitors. Thus, we would once again be delighted to take you on a private tour of the award-winning and cutting edge facilities at MITEC.

Please email [marketing@metaltech.com.my](mailto:marketing@metaltech.com.my) to book your tour spot.

### Address:

MITEC, 8, Jalan Dutamas 2, Kompleks Kerajaan, 50480 Kuala Lumpur, Wilayah Persekutuan Kuala Lumpur

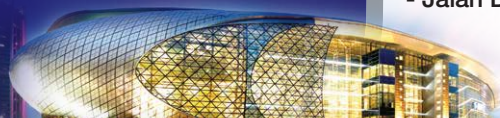


**P** MATRADE Exhibition & Convention Centre (MECC)

**P** MITEC Basement Car Park

→ Jalan Tuanku Abdul Halim - Jalan Sultan Haji Ahmad Shah

→ from Selayang - Jalan Kuching - Jalan Dutamas 2



# CONFIRMED EXHIBITORS

The key exhibitors who have booked their spot at METALTECH and AUTOMEX 2020

**YOU TOO CAN JOIN THIS EXCLUSIVE GROUP!**

Book early and take advantage of our upcoming marketing and promotions!

**WE ARE 90% SOLD OUT**



ACCRETECH (MALAYSIA) SDN BHD



A.D.I. ATACHI CORPORATION SDN BHD



AI AUTOMATION MACHINERY SDN BHD



ALCHEMY TECHNOLOGY



AMS LIGHT METAL SDN BHD



AMSAW SOLUTION SDN BHD



ANTBOT SDN BHD



AKYAPAK ULUSLARARASI DIS TICARET MAKINE SAN. TIC. AS.



BAYKER MACHINERY (M) SDN BHD



BRILLIANT SPRAYTEC SDN BHD



BUZZWHEEL CASTOR SDN BHD



CGL FOUNDRY SDN BHD



CAIRNHILL METROLOGY SDN BHD



CHIN FONG MACHINE (M) SDN BHD



CHS LUBE SDN BHD



CLINCH & GRIP FASTENER SDN BHD



DURA TOOLS SDN BHD



EMPICO COATING SDN BHD



FAMOUS STATIONERS SDN BHD



FANUC MECHATRONICS (MALAYSIA) SDN BHD



FKE METALLURGIE SDN BHD



GOLDBELL EQUIPMENT SDN BHD



GT INSTRUMENTS SDN BHD



HASIL KARYA SDN BHD



HAAS MALAYSIA



HEXAGON MEASUREMENT TECHNOLOGIES SDN BHD



HIGHRISE INDUSTRIES SDN BHD



HITACHI SUNWAY INFORMATION SYSTEMS SDN BHD



HUPLONG INDUSTRIES (M) SDN BHD



INFOTECH MACHINERY TRADING SDN BHD



IME GROUP OF COMPANIES



ISQ HOLDINGS SDN BHD



JC HARDWARE MARKETING SDN BHD



KOBECO MACHINE TOOLS SDN BHD



LASER INDUSTRIES SDN BHD



LEEDEN HERCULES SDN BHD



LH LITON SUPPLY SDN BHD



LI CHIN (SEA) SDN BHD



LINDE MALAYSIA SDN BHD



MAHO MACHINERY SDN BHD



MALAYSIAN INDUSTRIAL DEVELOPMENT FINANCE BERHAD



MASTER JAYA ENVIRONMENT SDN BHD



MOULD-TIP TECHNOLOGY SDN BHD



MYSYNTEC TECHNOLOGY SDN BHD



NINGBO HAISHU JINPU IMPORT & EXPORT CO., LTD



NANYO ENGINEERING (MALAYSIA) SDN BHD



NBH ENGINEERING & INDUSTRIAL SDN BHD



NEXTEAMWORK CORPORATION SDN BHD



PANCA HYDRAU-PNEUMATIC SDN BHD



POLYPAQ SDN BHD



PPE MANUFACTURING SDN BHD



PRO FILTERS SERVICES



PROHEAT TREATMENT SDN BHD



REGION SUPPLIERS SDN BHD



ROLLFLEX (M) SDN BHD



SCR ENGINEERING & SERVICES SDN BHD



SEA-RAY ENGINEERING (M) SDN BHD



SECURE EQUIPMENT TRADING SDN BHD



SENA DIECASTING INDUSTRIES SDN BHD



SIL TECHNOLOGY SDN BHD



SIN HUAT HIN MACHINERY (M) SDN BHD



SING HUAT HARDWARE & MACHINERY (M) SDN BHD



SOONLEON HARDWARE TRADING SDN BHD



SPANDY TOOL MARKETING SDN BHD



SPEEDY HEATING INDUSTRIES & ENGINEERING



SRITA SDN BHD



SUMITEC SDN BHD



SUNMADE BRUSH TECH SERVICES



TCIM SDN BHD



TIGATAN RESOURCES (M) SDN BHD



TKT MACHINERY & TRADING SDN BHD



TOKYO CHOKOKU MARKING PRODUCTS CO., LTD



TSIS WELDING SOLUTIONS SDN BHD



WEAR TECHNOLOGY SDN BHD



WINSAW ENGINEERING SUPPLIES SDN BHD



WUERTH INDUSTRIAL SERVICES MALAYSIA SDN BHD



YCE ENGINEERING WORKS SDN BHD



YH MACHINERY SDN BHD



ABB MALAYSIA SDN BHD



CADVISION SYSTEMS SDN BHD



DREAM TECHNOLOGY SYSTEM SDN BHD



ESSMART SYSTEMS SDN BHD



EPSON SINGAPORE PTE LTD



IGUS MALAYSIA SDN BHD



I-LINEAR AUTOMATION SDN BHD



INGRESS CONTROL SYSTEMS (M) SDN BHD



MAL-AUTONICS SENSOR SDN BHD



MITSUBISHI ELECTRIC ASIA PTE LTD



MODU TECHNOLOGIES SDN BHD



MONITOR ERP SYSTEM SDN BHD



MURR ASIA-PACIFIC PTE LTD



NISHIO RENT ALL (M) SDN BHD



ORIENTAL MOTOR (MALAYSIA) SDN BHD



PEPPERL + FUCHS PTE LTD



SANYO DENKI CO., LTD. SINGAPORE BRANCH



UNIVERSAL ROBOTS (SINGAPORE) PTE LTD

# GET ACCESS TO THE **BIGGEST BASE** OF VISITORS AND BUYERS IN MALAYSIA

**NO OTHER EVENT DRAWS IN AS MANY VISITORS FROM THE INDUSTRY AS METALTECH**

For two decades, METALTECH and AUTOMEX have always boasted a large and varied visitor base from Malaysia and around the world in the metalworking, manufacturing, robotics, automation and other related industries, it's no wonder that we are the trusted trade fair amongst buyers and a must-attend event for everyone in the industry.

Here's a glimpse at our visitor classification data as well as the top 5 trending products buyers are looking at!

## TOP 5 MOST SOUGHT-AFTER PRODUCTS & TECHNOLOGIES



Machine Tools

**31.63%**



Industrial 4.0 Automation & Communication Technology

**18.37%**



Hardware & Industrial Supplies

**17.30%**



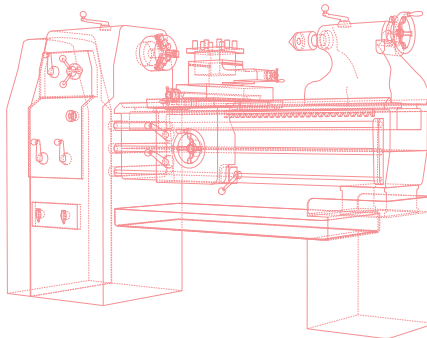
Electronic Components & Equipment

**16.10%**



Tools & Tooling

**15.07%**



## KEY VISITOR'S INDUSTRY PROFILES YOU WILL EXPECT TO MEET AT THE SHOW



**18.79%**

Automation Manufacturing



**8.15%**

Metal Parts & Components Manufacturing



**6.92%**

Machining Services



**6.12%**

Automotive & Supply Industries



**5.58%**

Distributors



**5.13%**

Building & Construction



**5.10%**

Electronics & Electrical Manufacturing



**1.73%**

Aviation & Aerospace Manufacturing



**1.51%**

HVAC / Fan Ventilation



**1.01%**

Medical Devices

## KEY VISITOR'S GROUP



Engineering/ Technical Management



Sales & Marketing



Corporate Management / CEO/ Director/ Owner/ Managing Director/ General Manager



Business Development



Operations/ Productions

## WHAT CAN OVER 20,000 TRADE VISITORS TELL YOU?



**46.46%**

Sourcing new products/ technologies/ services



**29.28%**

To purchase/ recommend purchase of products & services



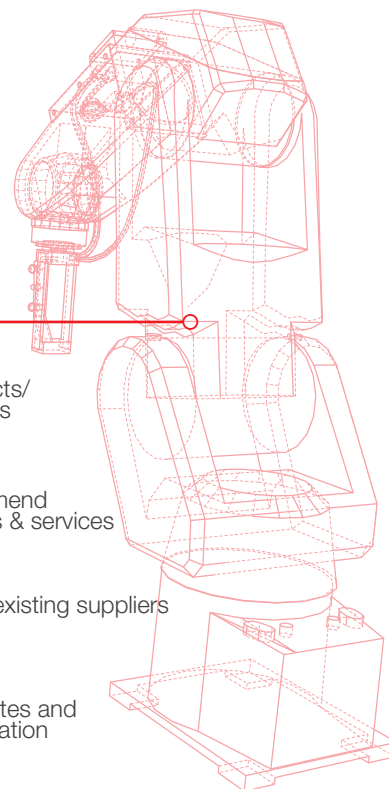
**27.23%**

To look for new and existing suppliers



**20.56%**

Gather industry updates and collect market information



\*Statistics and figures taken from METALTECH 2019 visitor's report.

## INTRODUCING

# Park & Ride SERVICES

### PARK YOUR CAR NEARBY AND HOP ON THE FREE SHUTTLE BUSES

We at METALTECH and AUTOMEX put a great deal of weight on the quality of our services and satisfaction to over **20,000 annual attendees** and we are going through a big upgrades to make your travelling experience much better with Park 'n' Ride – the best way to attend METALTECH if you are driving to the venue.

#### WHAT IS PARK 'n' RIDE?

**Park 'n' Ride** is the much improved and fuss-free way to attend METALTECH by car!

- Take advantage of less congestion and more parking spaces at nearby venues to park your car
- Hop on the improved **FREE** and **FREQUENT Shuttle Busses** that will drop you off conveniently at MITEC
- Enjoy additional parking lots nearby MITEC – all within a 15 minutes away from the venue

#### WHY USE PARK 'n' RIDE?

- Save time looking for parking spots at locations that have plenty of spaces
- Arrive at METALTECH stress-free and ready to make the most of your visit!
- **EXCLUSIVE:** Get a **FREE Mystery Gift** when you use our Park 'n' Ride service!

#### WHICH LOCATIONS DO THE SHUTTLE BUSES SERVICE?

Pick Up/Drop Off Point

- PWTC (CIMB Bank Entrance)
- MATRADE Exhibition & Convention Centre (MECC)
- Hyatt House Mont Kiara
- Sunway Putra Hotel
- Seri Pacific Hotel
- Dorsett Hartamas, Kuala Lumpur
- Pusat Tennis Nasional Tun Razak

#### STAY TUNED

For our upcoming promotion and exciting mystery gift reveal

Connect with us:  
[f metaltechmy](#)

## YOU SHOULD BE HERE! AT METALTECH 2020

As digitisation continues to transform the fundamental conditions and opportunities for the manufacturing industry, keeping up with these developments require new knowledge, inspiration and innovation in Malaysia. METALTECH & AUTOMEX are well established as the largest industrial platform in the field of Industry 4.0 or smart industry. It's here that the movers and shakers of the future in Malaysia industry will get the best business opportunity – Are you in?

**20,000**

Trade visitors from around Malaysia & internationally



**RM500 Million**

Sales transaction generated on the show floor



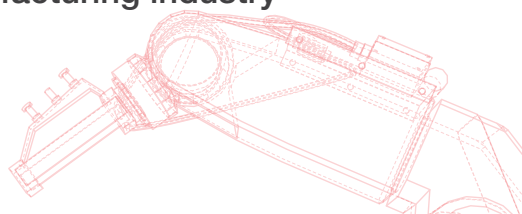
**4 Group** Pavilions including Germany, Singapore, South Korea and Taiwan Region



# INDUSTRY 4WRD

## READY FOR IR4.0

METALTECH is the largest industrial platform to strengthen the competitiveness and innovativeness of the future movers and shakers in the manufacturing industry



# ARE YOU ONE OF THEM?

The scope of our exhibitor's content covers the spectrum of metalworking technologies, such as machine tools for milling, turning, and forming, manufacturing systems, laser cutting, precision measuring tools, automated materials handling, industrial 4.0 technology, industrial electronics, accessories and metallurgy.

- Abrasive
- Additive Manufacturing / 3D Printing
- Air Cooler / Air Compressor / Ventilation
- Bearings & Conveyor
- Chemicals
- Drive Technology
- Electronic Components & Equipment
- Fastener Products
- Hardware & Industrial Supplies
- Industrial 4.0 Automation & Communication Technology
- Integrated Assembly Solution & Automation Handling Systems
- Laser Cutting
- Logistics / Material Handling & Storage
- Machine Tools
- Measurement Technology & Testing Equipment
- Metallurgical Technology & Equipment
- Foundry / Metal Casting
- Mould & Die
- Oil & Gas
- Positioning Systems
- Precision Engineering
- Process Automation & Control System Technology
- Renewable Energy / Solar
- R&D and Related Services
- Robotics
- Safety Products & Equipment
- Safety & Security Technology
- Sensor Technology
- Sheetmetal Technology
- Software and Prototyping Systems
- Surface Finishing & Heat Treatment
- Tools & Tooling
- Welding Technology

## TAKE ACTION NOW

Please visit [www.metaltech.com.my](http://www.metaltech.com.my) and click on "Book a Space" to reserve your booth space.

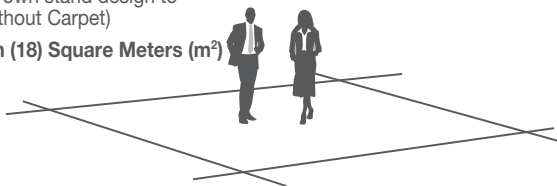
## BOOTH SPECIFICATIONS

### BARE SPACE

**USD 330 per sqm**

Rent a space, appoint a registered contractor and customise your own stand design to suit your needs. (Without Carpet)

Minimum: Eighteen (18) Square Meters (m<sup>2</sup>)



### SHELL SCHEME

**USD 370 per sqm**

This complete build-up shell scheme will minimise your stand design problem.

Minimum: Nine (9) Square Meters (m<sup>2</sup>)

Shell Scheme package includes:

- 1 x Information Counter
- 1 x 13 Amp Single Phase Power Point
- 2 x Fluorescent Tube
- 2 x Folding chairs
- Fascia Board with Exhibitor's Name and Booth Number
- Needle Punch Carpet Flooring
- 1 x Waste Paper Basket
- White Laminated Plywood Panel with Aluminium Pole wherever applicable



### CONTACT US

**UBM Trade Link Sdn Bhd** (1033543-M)  
Suite 5-01, Level 5, Sunway VISIO Tower,  
Lingkaran SV, Sunway Velocity,  
55100 Kuala Lumpur, Malaysia  
T: +603 9771 2688 F: +603 9771 2799

### ADVERTISING & SPONSORSHIP OPPORTUNITIES

Raise your company's branding presence through our diverse sponsorship and advertising packages. You can even customise the sponsorship items that suit your needs. Contact us today!

**Ms. Kelly Liau**  
E: Kelly.Liau@ubm.com

### MALAYSIA

**METALTECH**  
**Ms. Geonice Chong**  
E: enquiry@metaltech.com.my  
**AUTOMEX**  
**Ms. Siew Wei Peng**  
E: enquiry@automex.com.my

### ASIA

**UBM International Sales Office, Asia**  
**Ms. Carolyn Lee & Mr. William Lim**  
T: +65 6233 6688  
E: machine-isoa@ubm.com

### REST OF THE WORLD

**UBM International Sales Office**  
**Ms. Léonie Brooker**  
T: +44(0)207 560 4311  
E: manufacturing@ubm.com

### MARKETING

**Mr. Tan Kian Yap**  
E: Kianyap.Tan@ubm.com  
**Ms. Lee Pui Teng**  
E: Puiteng.Lee@ubm.com